



GreenNode

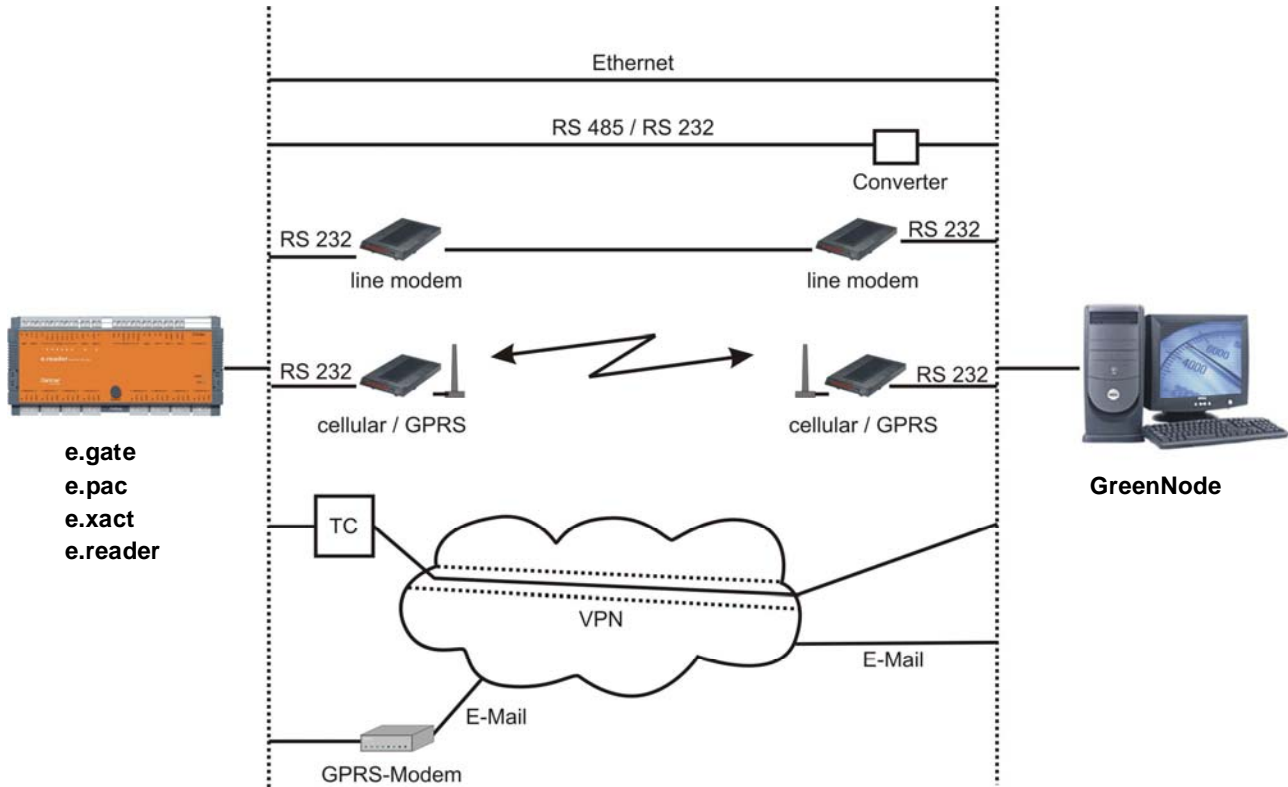
SCADA and Data Management Software for e.series



GreenNode is a server based software automated data capture and logging in remote systems. It consists of the GreenNode Server software and unlimited number of clients that have access to the data server. The client software (GreenEye) is a standard part of e.commander and is used for visualization and analysis. The GreenEye software is available free of charge the Gantner Instruments website.

GreenNode is very flexible and can be configured to gather measurement data continuously, periodically, or based on certain events.

GreenNode opens a link to the controllers (e.gate, e.pac, e.xact, e.reader) and does file transfer using FTP. This can be done by modem and PPP, via GPRS and VPN tunnel or Ethernet TCP/IP.



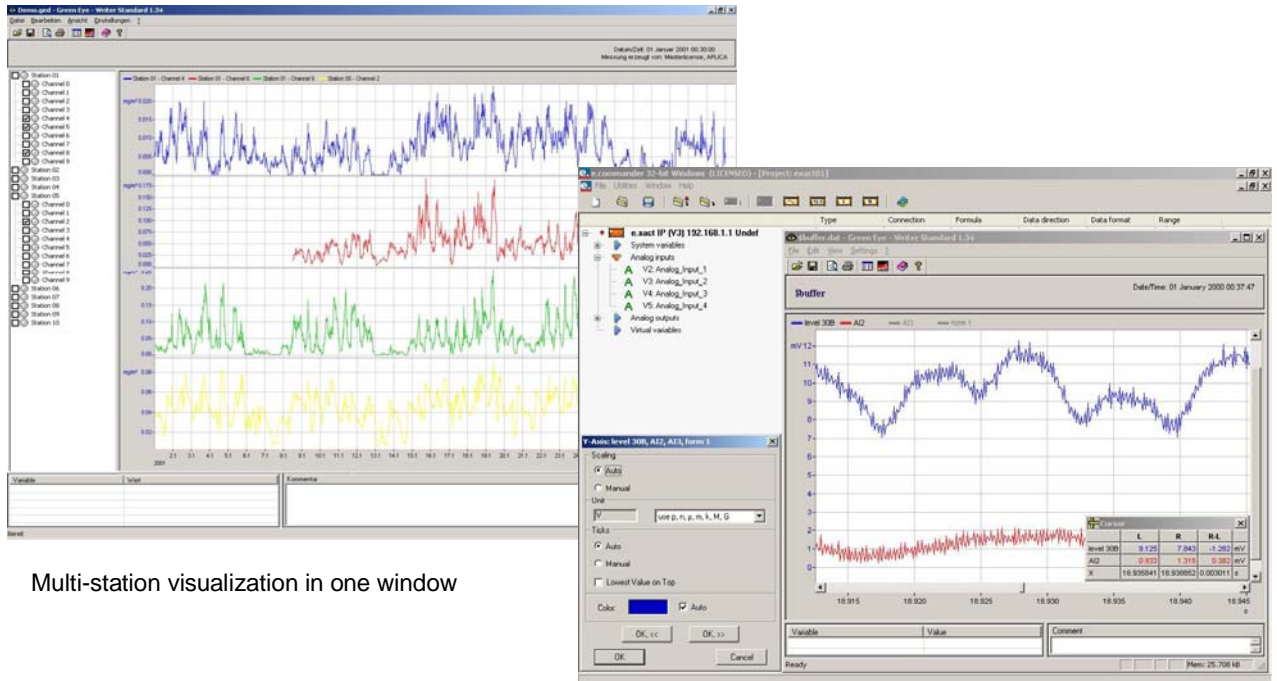
Main Features:

- Autonomous data transfer to FTP server over various communication media
- Continuous or triggered data logging with configurable file size
- Automated synchronization of all data and controllers with server reference time
- Flexible event logging managed by dedicated trigger condition per channel
- Archiving in size-optimized GreenEye data format (www.green-eye-data.com)



GreenNode

SCADA and Data Management Software for e.series



Multi-station visualization in one window

Easy data selection and analysis

Graphical Display and Visualization:

- “GreenEye–Writer” for online and offline data visualization
- Data editing and flexible conversion to other data formats
- Configurable unit calculation per channel
- Fixed or auto-scaling, zoom and re-zoom
- Specific settings can be saved to be ready for start

Setup and Configuration:

- Automatic controller configuration detection (e.gate, e.pac, e.reader, e.xact) and upload
- Runs in combination with Gantner’s IDL data loggers and ISM sensor modules
- Easy configuration via text files
- Configurable data compression per channel
- Configurable archives structure. Flat (all data in one tree) or structured (e.g. one tree per day).
- GreenConvert configuration tool for automated online conversion to various data format (ASCII, Famos, DasyLab, Matlab, etc.)

General:

- Available for MS-Windows and Linux
- Telnet Interface for monitoring actual program status and for displaying online values

Options:

- Configurable rounding of events and time information (full hour, once per day, etc.)
- Configurable automatic deleting of oldest archives in case of limited storage